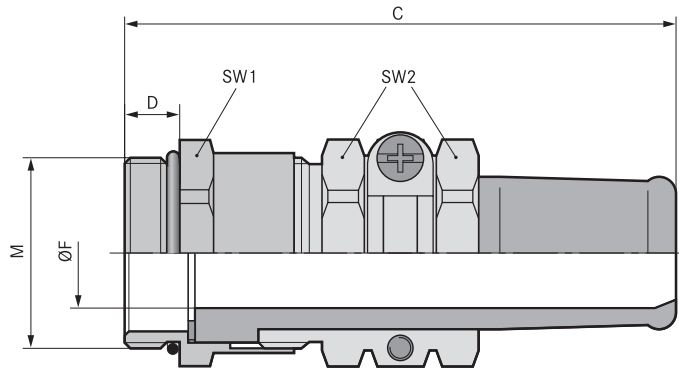


SKINDICHT® SR-M



SKINDICHT® SR-M

Benefits

- Reliable bending and antikink protection
- High strain relief
- Robust
- For cables with large outer diameters
- High degree of protection

Application range

- Cables for electrical appliances and machinery, which are moved under normal use, must be protected against excessive bending, as required in accordance with VDE 0730.
- Hand-held equipment
- Movable machinery
- Building sites
- Flexing machine parts

Approvals (Norm references)



Design

- Metric connection thread acc. to EN 50262

Note

- Counter nut to be used SKINDICHT® SM-M
- EMC type please see SKINDICHT® SRE-M

Technical data

Caution
 Installation dimensions see Appendix T21

On request
 Available with long connection thread

Material
 Metal parts: Nickel plated brass
 O-ring: NBR
 Antikink protection: CR/NBR

Degree of protection
 IP 65

Range of temperature
 -20°C up to +80°C

Part number	Part designation / size	Clamping range ØF mm	Max. fitting size for installation in mm	Function thread PG	SW1 / SW2 mm	Overall length C mm	Thread length D mm	Clear opening F mm	Pieces / PU
SKINDICHT® SR-M									
52106410	12 x 1,5	4 - 5	23	7	14 / 15	49.0	5.0	5	50
52106420	16 x 1,5	5.5 - 7	25	9	18 / 17	50.0	5.0	7	50
52106430	20 x 1,5	5.5 - 7	28	11	22 / 20	55.0	6.0	7	25
52106440	20 x 1,5	7.5 - 9	28	11	22 / 20	55.0	6.0	9	25
52106450	20 x 1,5	7.5 - 9	32	13.5	22 / 22	60.0	6.0	9	25
52106460	20 x 1,5	9 - 11	32	13.5	22 / 22	60.0	6.0	11	25
52106470	20 x 1,5	11 - 13	32	13.5	22 / 22	60.0	6.0	13	25
52106480	20 x 1,5	12 - 13	35	16	24 / 24	65.0	6.0	13	25
52106481	20 x 1,5	13 - 15	35	16	24 / 24	66.0	6.0	15	25
52106490	25 x 1,5	12.5 - 15	46	21	30 / 30	78.5	7.0	15	25
52106500	25 x 1,5	14 - 17	46	21	30 / 30	78.5	7.0	17	25
52106510	25 x 1,5	17 - 19	46	21	30 / 30	78.5	7.0	19	25
52106520	25 x 1,5	17 - 20	46	21	30 / 30	78.5	7.0	20	25
52106530	32 x 1,5	19 - 20	59	29	40 / 41	90.5	8.0	20	10
52106540	32 x 1,5	22 - 23	59	29	40 / 41	90.5	8.0	23	10
52106550	32 x 1,5	23 - 25	59	29	40 / 41	90.5	8.0	25	10
52106560	40 x 1,5	24 - 26	70	36	50 / 50	108.0	8.0	26	5
52106570	40 x 1,5	28 - 30	70	36	50 / 50	108.0	8.0	30	5
52106580	40 x 1,5	31 - 33	70	36	50 / 50	108.0	8.0	33	5
52106590	40 x 1,5	33 - 34.5	70	36	50 / 50	108.0	8.0	35	5
52106600	50 x 1,5	31 - 34.5	75	42	57 / 57	111.0	9.0	35	5
52106610	50 x 1,5	32 - 38	75	42	57 / 57	111.0	9.0	38	5
52106620	50 x 1,5	37 - 40	75	42	57 / 57	111.0	9.0	40	5
52106630	63 x 1,5	32 - 40	83	48	66 / 64	118.0	10.0	40	1
52106640	63 x 1,5	36 - 44	83	48	66 / 64	118.0	10.0	44	1